

OTS Pulse v1.0

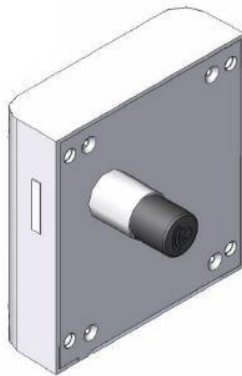
Main features

Description

OTS Pulse is an online real-time wireless electronic locking system with RFID and BLE technology mainly intended for sports, school, offices and leisure facilities.

Lock is fully controlled via wireless from Ojmar's cloud software, allowing to reconfigure and assign permissions remotely. Lock will ask for permission to operate to the central management and will operate once answer is received.

An offline lock is added in case network falls down, allowing operation in standalone mode and storing all the information, in order to send it back to the cloud software once communication is reestablished.



Configuration

- ✓ Fully configurable by the end user
- ✓ Automatic connection of the locks to the Ojmar's cloud software.
- ✓ Real-time configuration and assignment of access permissions via Ojmar's cloud software.
- ✓ Integration with third parties software via SDK
- ✓ Automatic openings

Compatibility

- ✓ End customer wearables.
- ✓ Customer smartphones

Maintenance

- ✓ Keeps the configuration after battery change.
- ✓ Low battery indicator.
- ✓ FW update via network.
- ✓ Emergency power supply from the knob.
- ✓ Configurable usage reports.
- ✓ Offline mode in case of gateway failure: Data storage and automatic sending after network recovery.

Security

- ✓ Encrypted communications.
- ✓ Vandalism-proof: All components

Technical Specifications

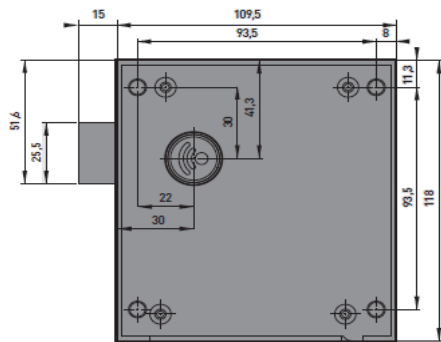
TECHNOLOGIES	Authentication mode	RFID, Bluetooth
	RFID standards	MIFARE® (DESFire EV1 & EV2, Ultralight, Ultralight C, Classic1K/4K 4B and 7B UID – ISO/IEC 14443), ISO 15693 (Incluye HID® Seos and HID® iClass)
	Reading	UID / Sector
	Wearables	RFID cards, wristbands, FOBs, Technogym key, Stickers & Transponders
	Bluetooth OS	Android & iOS
USAGE MODES	Free mode	Up to 3 locks simultaneously with just one wearable
	Dedicated mode	Up to 6 locks simultaneously with just one wearable
	Multifunction mode	Up to 3 free and 3 dedicated locks simultaneously with just one wearable
	Rental mode	Configurable in periods of 15 minutes

OTS Pulse v1.0

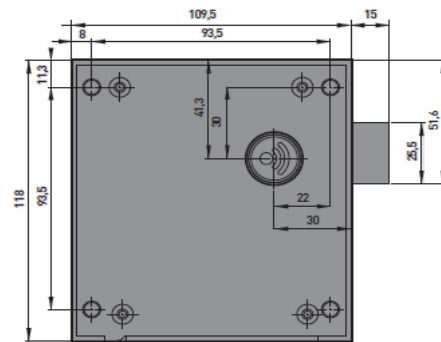
USER INTERFACES	Notifications	LED (Red, amber & green)
	Lock closed notifications	Nozzle in closed position Red LED blinking every 2 seconds (configurable) In Software and infoterminal in RT
	Alarms	Low battery warning High occupancy alert
COMMUNICATION INTERFACES	Communication standard	Wireless 2.4GHz proprietary stack
	Encryption mode	AES 256
	Reading field range (wireless)	Up to 50 m (depending on the layout)
POWER SUPPLY	Batteries (Type & quantity)	4 alkaline batteries VARTA Type AA
	Battery life	Up to 8 years at room temperature (Depending on usage and configuration)
MECHANICAL CHARACTERISTICS	Dimensions	119,5 mm x 35 mm x 118 mm
	Weight	375 gr
	Knob resistance	1000 N
	Housing	Black nozzle Black and green nozzle White nozzle
ENVIROMENTAL CONDITIONS	Temperature	From -10°C to 42°C (interiors)
	Humidity	< 97% (Condensation free)
	Protection type	IK09 / IP55

OTS Pulse v1.0

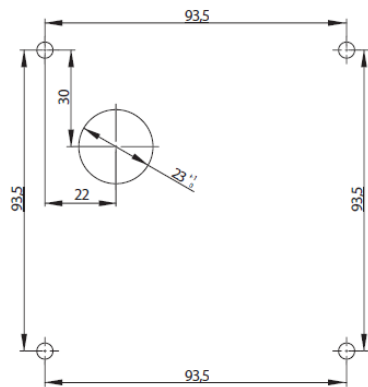
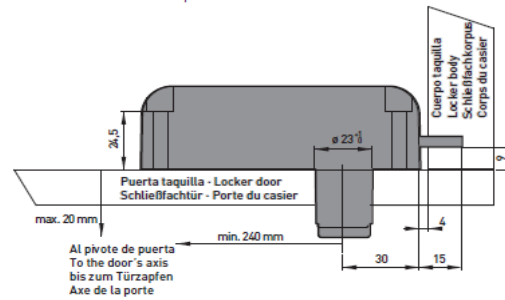
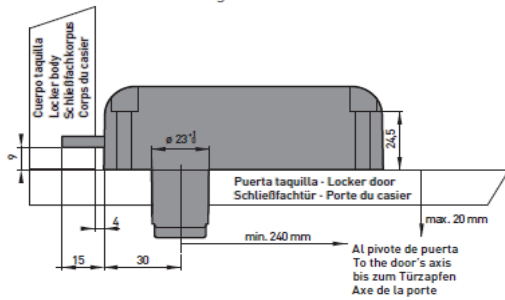
Assembly



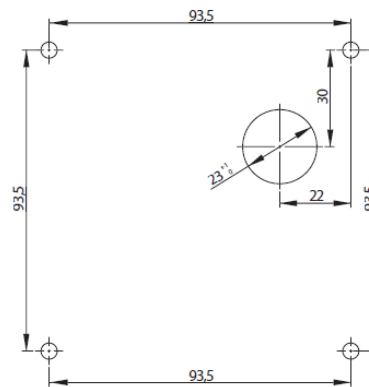
Derecha · Right · Rechts · Droite



Izquierda · Left · Links · Gauche



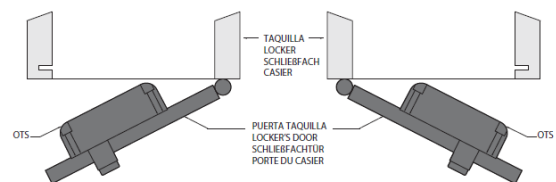
Derecha · Right · Rechts · Droite



Izquierda · Left · Links · Gauche

Other Data

Door Material	Phenolic
	Glass
	Metal*
	HPL
	Melamine
Door Thickness	<22mm
Availability	Right. / Left. Handed



Derecha · Right · Rechts · Droite

Izquierda · Left · Links · Gauche

*In case of metal lockers, please contact Ojmar (Boosters will be needed and Gateway quantity will be increased).

OTS Pulse v1.0

Optional Accessories

- ✓ Ojmar Programmer
- ✓ Infoterminal
- ✓ User App
- ✓ SDK for integrators